

ST1000

STEEL LOOK



A three-chamber window and door system with thermal insulation.

ST1000

A three-chamber window and door system with thermal insulation.

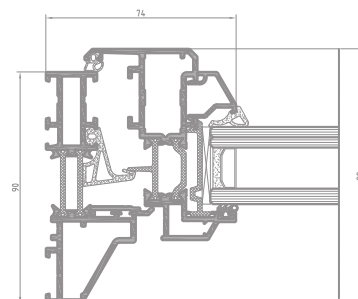
The system is distinctive due to the specific profile shape.

The system is used to design renovated and wood-imitating windows.

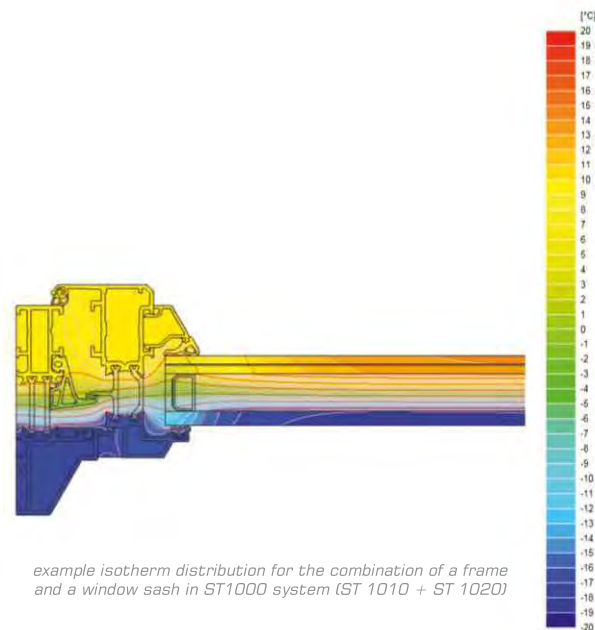
Glazing strips are available in the "soft" version (rounded shapes).

Thermal insulation (Uf) from 1,85 W/m²k.

Wide range of colours – RAL palette (Qualicoat 1518), texture colours, Aliplast Wood Colour Effect (wood-like colours), Aliplast Loft View – colours imitating stone surfaces (Qualideco PL-0001), anodized colour (Qualanod 1808), bi-colour.



STEEL LOOK 1000 window section



example isotherm distribution for the combination of a frame and a window sash in ST1000 system (ST 1010 + ST 1020)

TECHNICAL SPECIFICATION

SYSTEM	MATERIAL	DEPTH OF FRAME	DEPTH OF LEAF	GLAZING RANGE	MAXIMUM WINDOW SIZES	TYPE OF DOORS
ST1000	aluminium / polyamid	90 mm	74,4 mm	5-43 mm	single-leaf window 1200 x 2500 mm	tilt

PERFORMANCE

SYSTEM	THERMAL INSULATION Uf *	AIR PERMEABILITY	WINDLOAD RESISTANCE	WATERTIGHTNESS
ST1000	Uf from 1,85 W/m ² K	Class 4; EN 12207	Class 7A (300 Pa); EN 12210	Class C4 (1600 Pa); EN 12208

* Thermal insulation is dependent on a combination of profiles and thickness of the filling.