

ULTRAGLIDE

- LOW THRESHOLD OPTION

aliplast
aluminium systems



sliding system

Ultraglide - low threshold option

- a system featuring improved thermal performance, used to design lift-sliding structures
- the Ultraglide low-threshold system is a solution to improve building accessibility for disabled people; the low-threshold option prevents edge offset at the door-floor contact and enables threshold-floor flushing
- possible structure variants: 2-, 4-component based on a two-rail frame
- there is possibility of use Insect System (fly screens are a practical and an extremely functional protection against insects)
- a wide range of colours – RAL palette (Qualicoat 1518), texture colours, Aliplast Wood Colour Effect (wood-like colours), Aliplast Loft View – colours imitating stone surfaces (Qualideco PL-0001), anodised colour (Qualanod 1808), bi-colour

ULTRAGLIDE

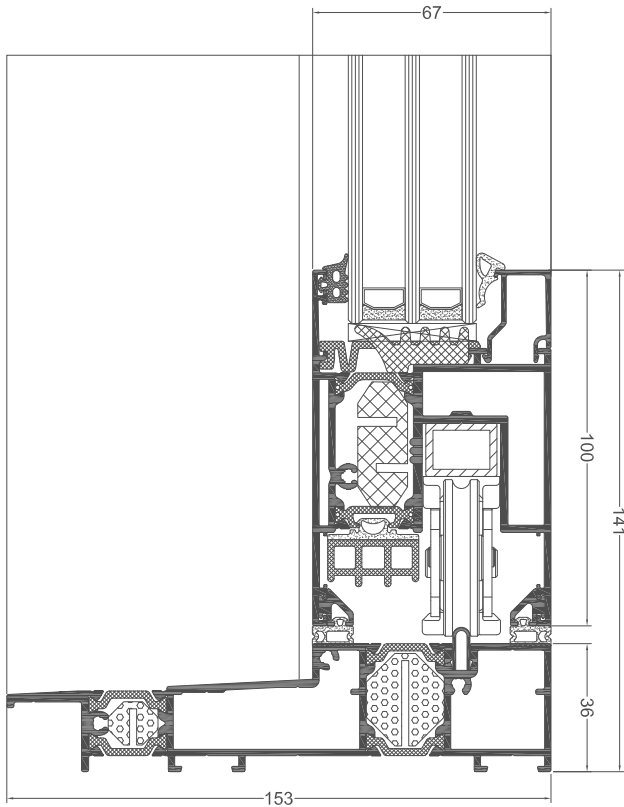
- LOW THRESHOLD OPTION

aliplast
aluminium systems

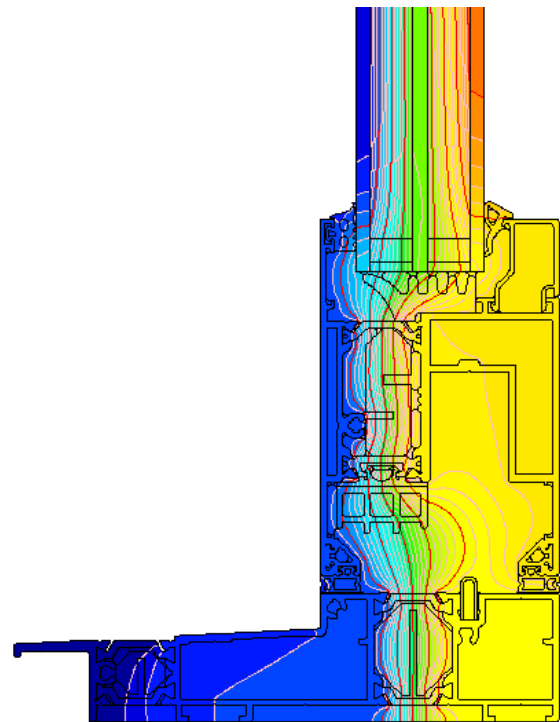
sliding system

technical specification

system	material	depth of frame	depth of leaf	glazing range	weight of leaf	type of doors
UG low threshold	aluminium/thermal insulation	153-239 mm	67 mm	14-52 mm	to 400 kg	lift-sliding



Ultraglide cross section through frame with sash composition
- low threshold option (UG1114 + UG820N)



distribution of isotherms for Ultraglide system
- low threshold option (UG1114 + UG820N)